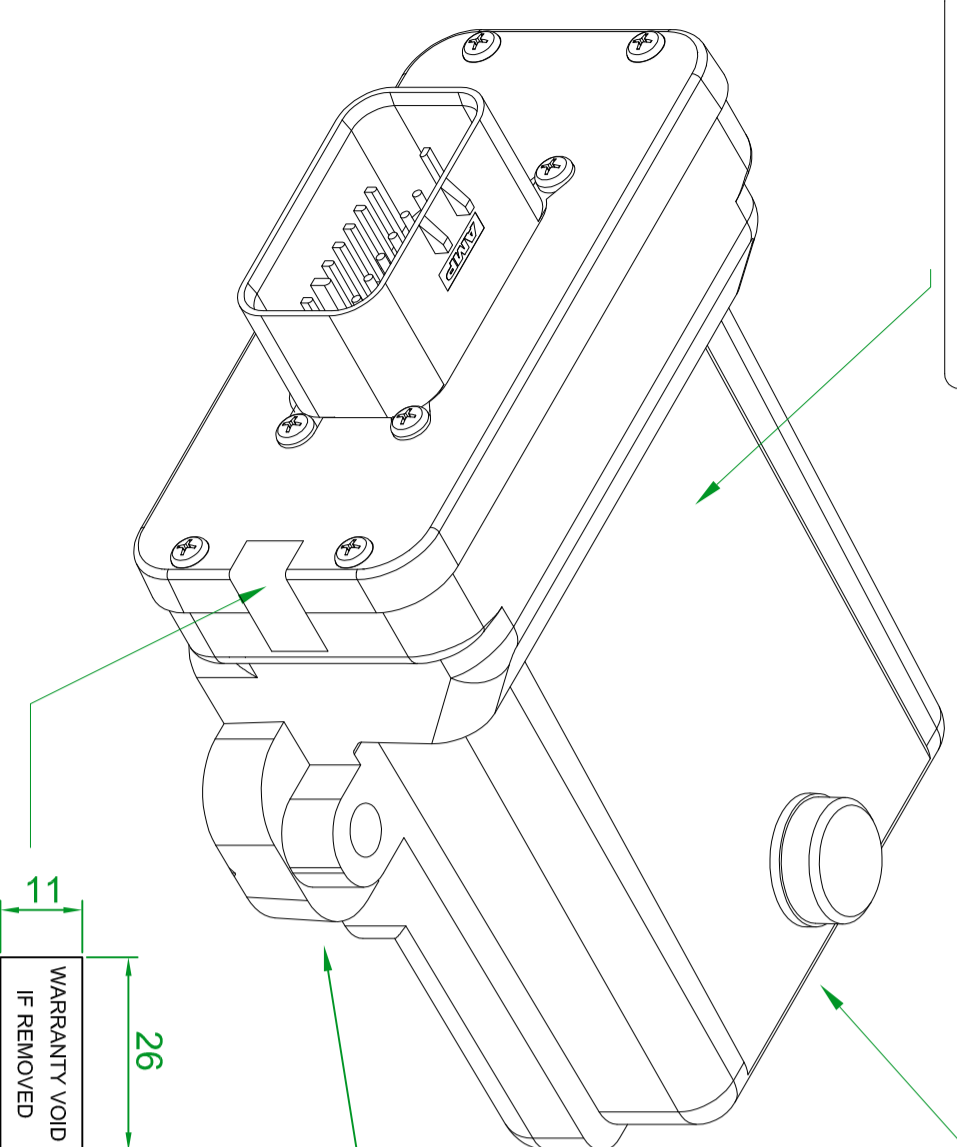
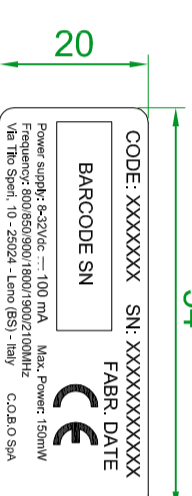


TABLE SIGNAL - CONNECTOR

Pin n°	Name	Signal Description
1	+VB (30)	Positive power supply (+12V / +24V)
2	-VB (31)	Negative power supply (GND)
3	CHIAVE (15)	Key input, in not used short circuit with pin 1
4	RS232_TX	RS-232 TX line
5	RS232_RX	RS-232 RX line
6	CAN0L	Can interface 1 (low)
7	CAN0H	Can interface 1 (high)
8	GND	Ground signal
9	CAN1L	Can interface 2 (low)
10	CAN1H	Can interface 2 (high)
11	GND	Ground signal
12	LIN	LIN interface
13	GND	Ground signal
14	INPUT 1	Configurable input 1 (digital high side / analogue 0 - 5 V / analogue 0 - 30 V)
15	INPUT 2	Configurable input 2 (digital high side / analogue 0 - 5 V / analogue 0 - 30 V)
16	INPUT 3	Configurable input 3 (digital high side / analogue 0 - 5 V / analogue 0 - 20 mA)
17	INPUT 4	Configurable input 4 (digital high side / analogue 0 - 5 V / analogue 0 - 20 mA)
18	INPUT 5	Configurable input 5 (digital high side / rpm)
19	INPUT 6	Configurable input 6 (digital high side / rpm)
20	OUTPUT 1	Digital high side output
21	OUTPUT 2	Digital high side output
22	OUTPUT 3	Digital low side output
23	OUTPUT 4	Digital low side output

LABEL PLACED ON THE BACK

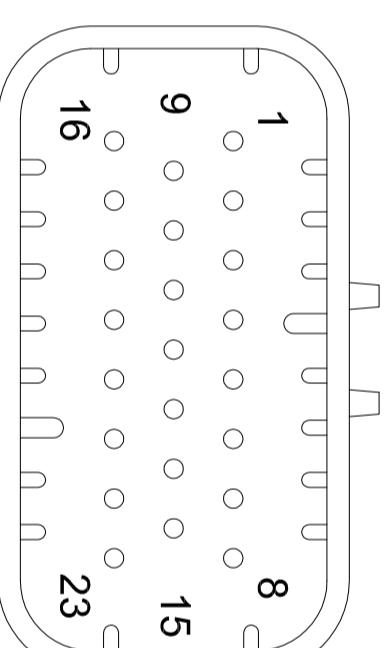
Output Power:
 Class 3 (24dBm +1,3dB) for UMTS bands
 Class 2 (24dBm+3dB) for GSM850 & EGSM900
 Class 1 (30dBm+3dB) for GSM850 & EGSM900
 Class 4 (33dBm+2dB) for GSM 850/900
 Class 1 (30dBm+2dB) for GSM 1800/1900



MOUNTING HOLE Ø7.3

WARRANTY LABEL 2047374 PLACED BETWEEN BOX AND COVER

EXTERNAL KIT CONNECTOR: 46.12.0118XX.01
 (OPTIONAL SUPPLIED SEPARATELY)



FRONT VIEW
 NUMBER PIN POSITION